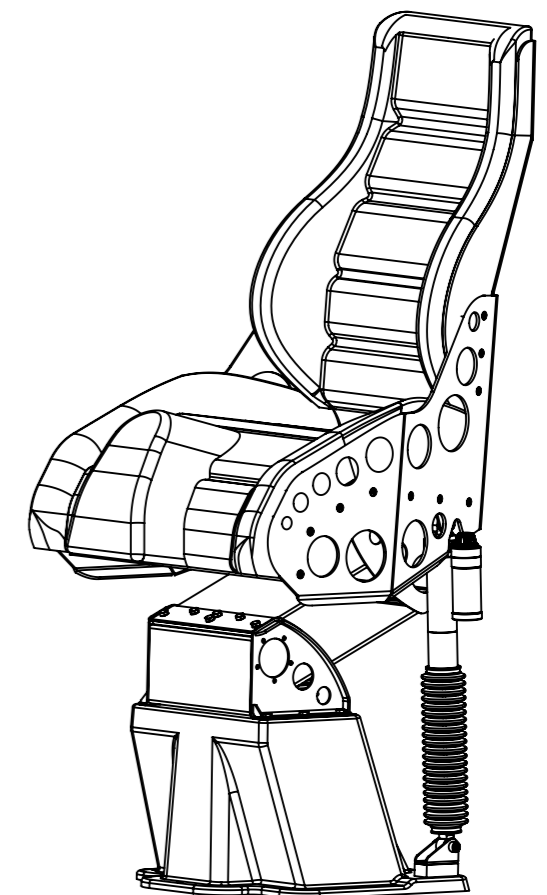


### North Atlantic Seat

Weight	41,5 kg/91.5 lbs
Stroke	200mm /7.9 in
Suspension system	Atlantic Leaflex Mechanism
Dampers	UD 530: Adjustable
Upholstery	Leather or Vinyl

### Material spec

Suspension system	EN 1.4404 / SS 316L
Handlebars	EN 1.4404/SS 316L
Seat Frame	Marine Grade Alu
Backrest	Carbonfibre
Pedestal	Glas reinforced plastic



UNLESS OTHERWISE SPECIFIED: DIMENSIONS ARE IN MILLIMETERS SURFACE FINISH: TOLERANCES: LINEAR: ANGULAR:				FINISH:		DEBUR AND BREAK SHARP EDGES		DO NOT SCALE DRAWING		REVISION	
DRAWN				NAME		SIGNATURE		DATE		TITLE:	
CHK'D										Ullman Dynamics www.ullmandynamics.com	
APPV'D										Ullman	
MFG										Ullman North Atlantic	
Q.A								MATERIAL:		DWG NO.	
										An2011	
								WEIGHT:		SCALE:1:10	
										SHEET 1 OF 1	

Every component = corrosion free