

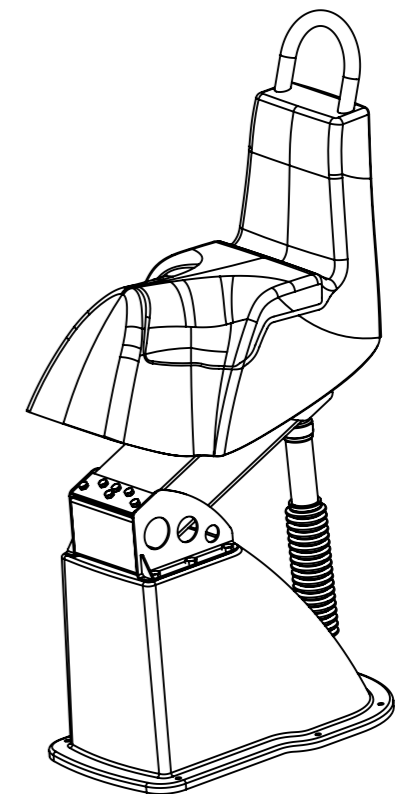
Seat height alternatives 700 & 800 mm
scale 1:20

Compact

Weight	19 kg/41,9 lbs
Stroke	150mm /5,9in
Suspension system	XLT
Dampers	UD 430
Upholstery	Neoprene

Material specifications

Suspension system	EN 1.4404 / SS 316L
Handlebars	EN 1.4404/SS 316L
Seat Frame	Glas reinforced plastic
Pedestal	Glas reinforced plastic



Every component = corrosion free

UNLESS OTHERWISE SPECIFIED: DIMENSIONS ARE IN MILLIMETERS SURFACE FINISH: TOLERANCES: LINEAR: ANGULAR:				FINISH:		DEBUR AND BREAK SHARP EDGES		DO NOT SCALE DRAWING		REVISION			
DRAWN JL				SIGNATURE		DATE		Ullman Dynamics www.ullmandynamics.com				Ullman	
CHK'D				APPV'D		MFG		TITLE: Ullman Compact XLT 750					
Q.A				MATERIAL:		WEIGHT:		DWG NO. C-2011				A3	
								SCALE:1:10				SHEET 1 OF 1	