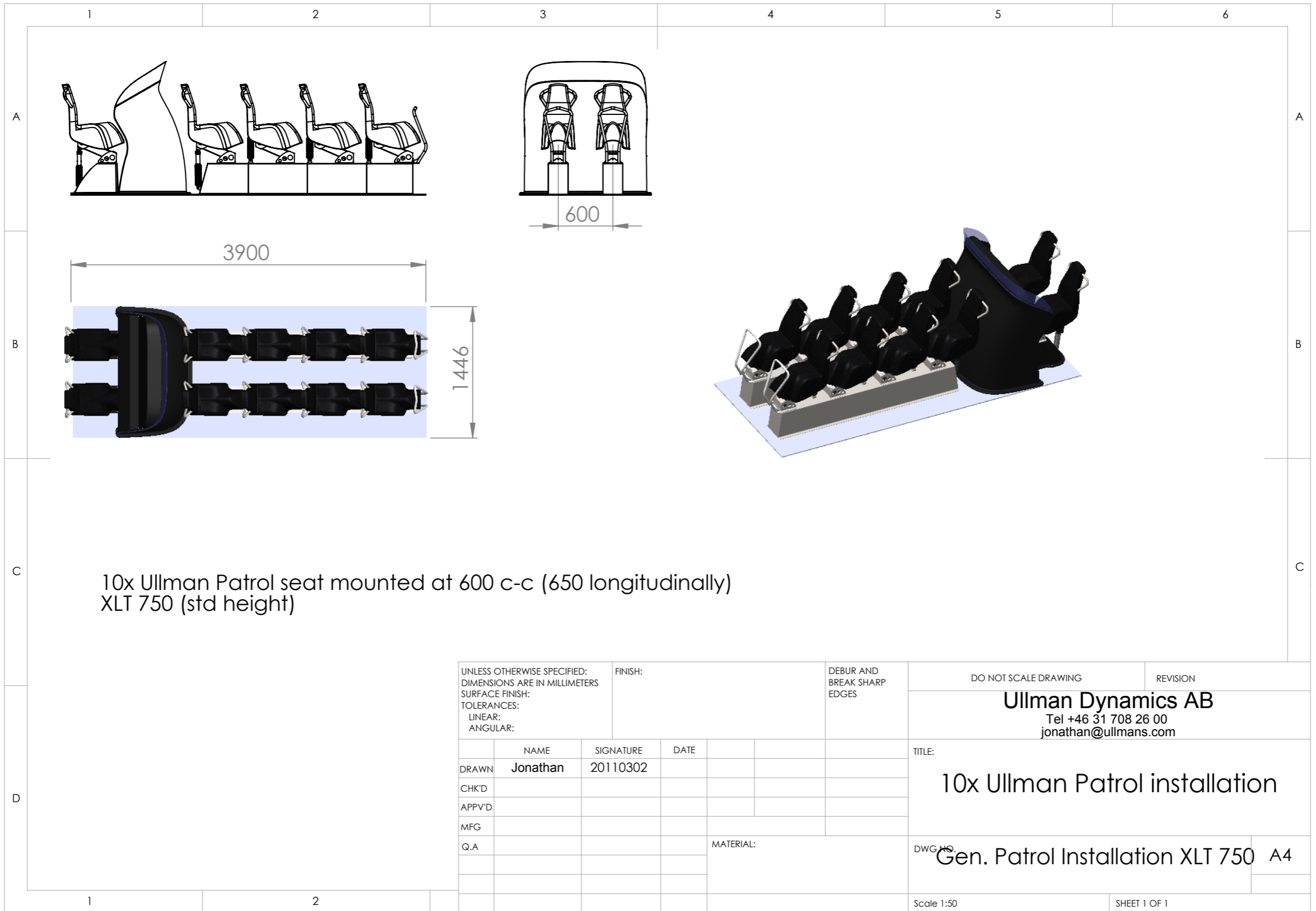




Jockey Seat Mounting Options

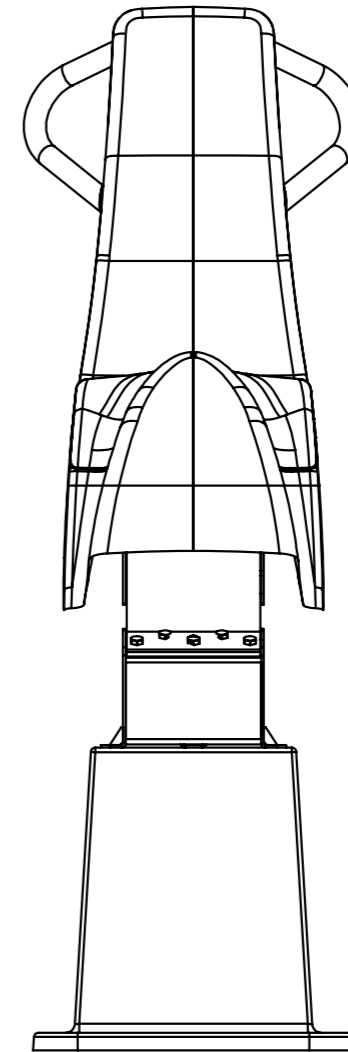
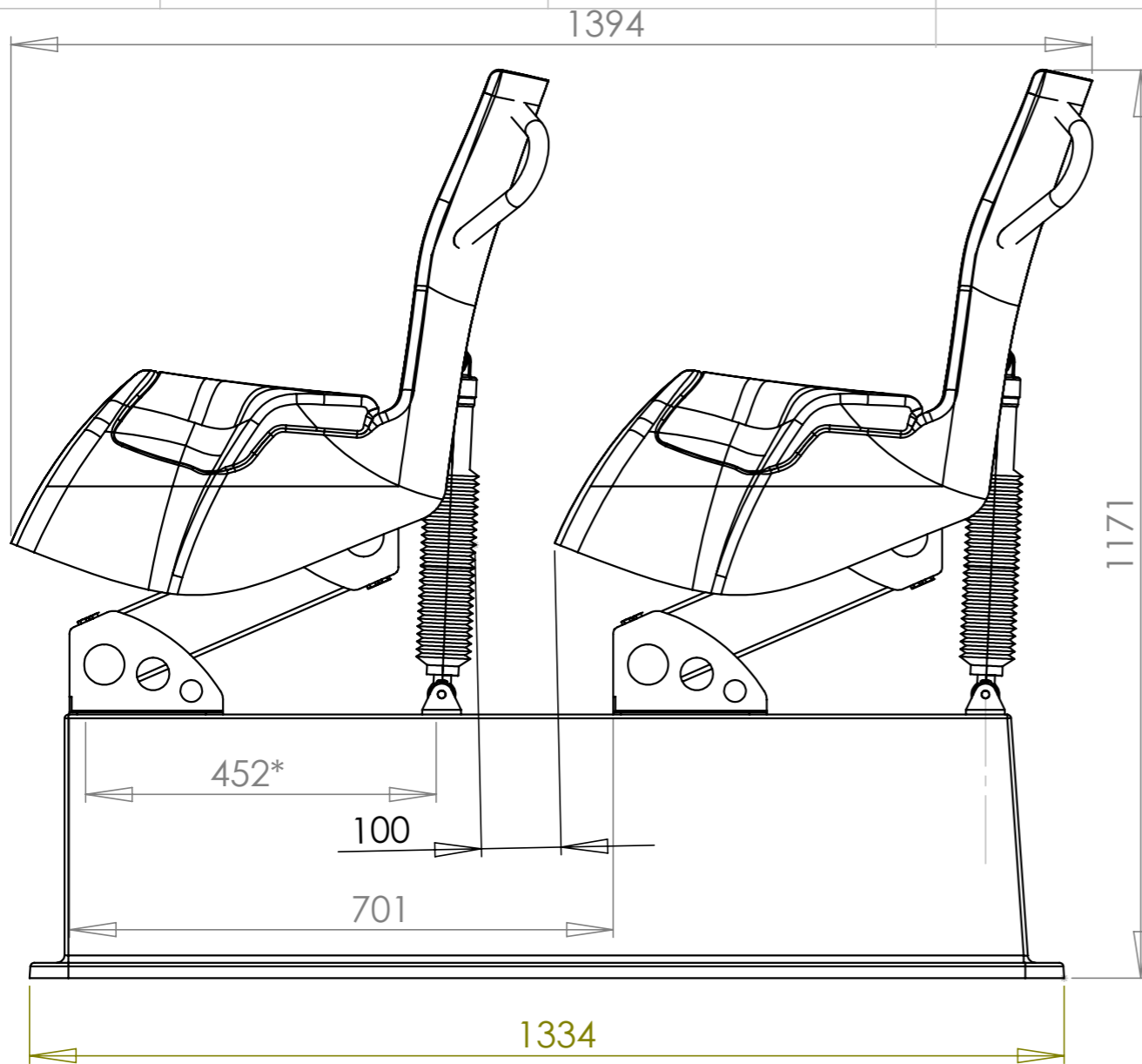


10x Ullman Patrol seat mounted at 600 c-c (650 longitudinally)
 XLT 750 (std height)

UNLESS OTHERWISE SPECIFIED: DIMENSIONS ARE IN MILLIMETERS SURFACE FINISH: TOLERANCES: LINEAR: ANGULAR:				FINISH:		DEBUR AND BREAK SHARP EDGES		DO NOT SCALE DRAWING		REVISION	
								Ullman Dynamics AB Tel +46 31 708 26 00 jonathan@ullmans.com			
								TITLE:			
								10x Ullman Patrol installation			
								DWG NO:			
								Gen. Patrol Installation XLT 750 A4			
								Scale 1:50		SHEET 1 OF 1	

	NAME	SIGNATURE	DATE				
DRAWN	Jonathan	20110302					
CHK'D							
APPV'D							
MFG							
Q.A							





UNLESS OTHERWISE SPECIFIED:
 DIMENSIONS ARE IN MILLIMETERS
 SURFACE FINISH:
 TOLERANCES:
 LINEAR:
 ANGULAR:

FINISH:

DEBUR AND
 BREAK SHARP
 EDGES

DO NOT SCALE DRAWING

REVISION

Ullman Dynamics AB

Tel +46 31 708 26 00
 jonathan@ullmans.com

	NAME	SIGNATURE	DATE		
DRAWN	Jonathan				
CHK'D					
APPV'D					
MFG					
Q.A					

TITLE:

DWG NO.

Pod dual 340 + 2 xlt 00

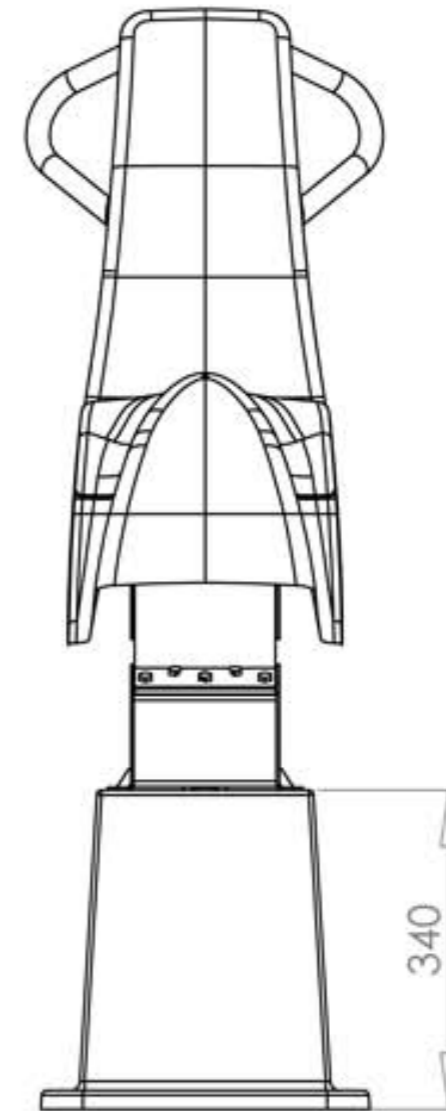
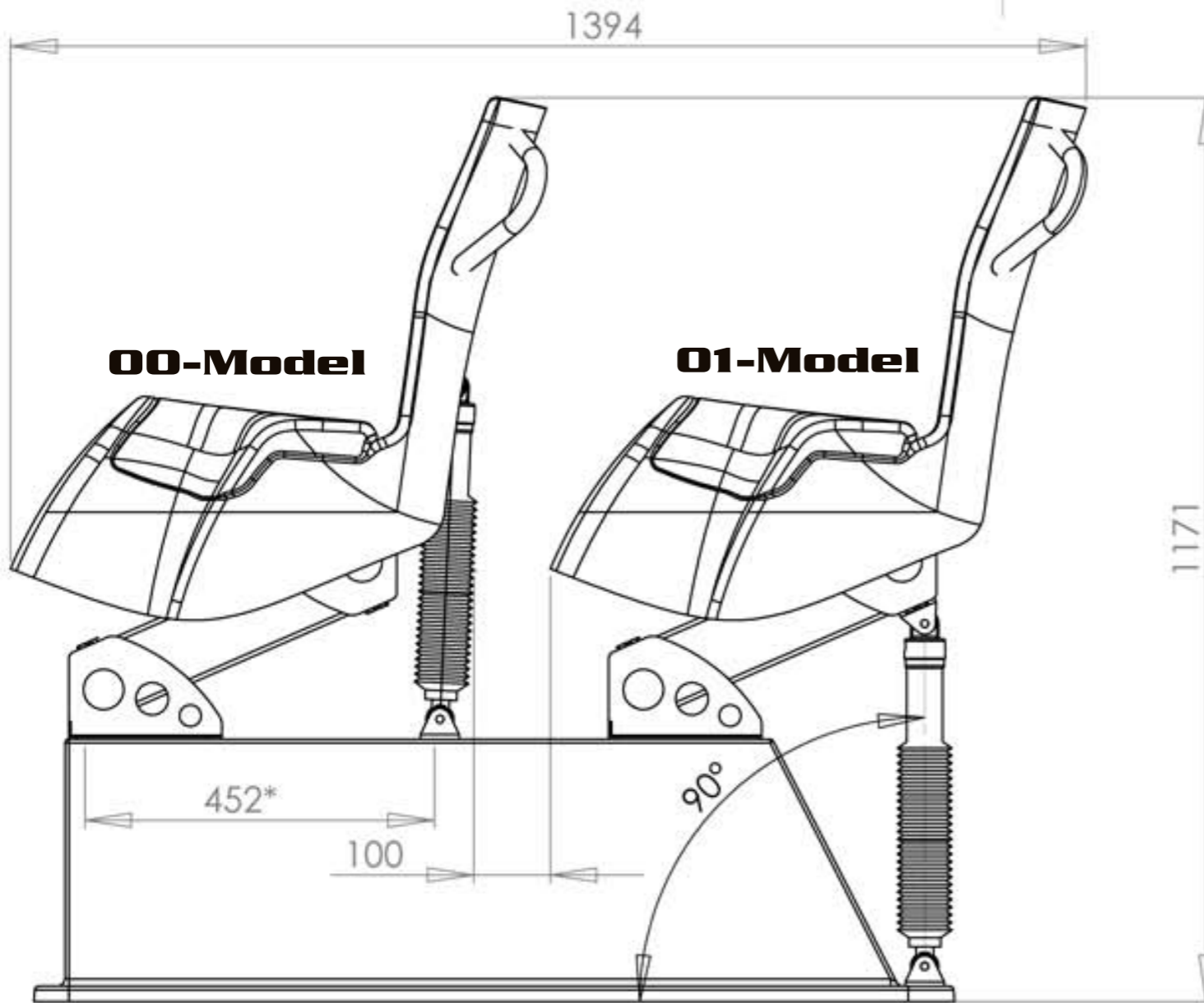
A4

WEIGHT:

SCALE:1:10

SHEET 1 OF 3

* 452 = Distance between first screw hole in biscaya lower spring bracket and first screw hole in the damper attachment.



UNLESS OTHERWISE SPECIFIED:
 DIMENSIONS ARE IN MILLIMETERS
 SURFACE FINISH:
 TOLERANCES:
 LINEAR:
 ANGULAR:

FINISH:
 DEBUR AND
 BREAK SHARP
 EDGES

DO NOT SCALE DRAWING REVISION

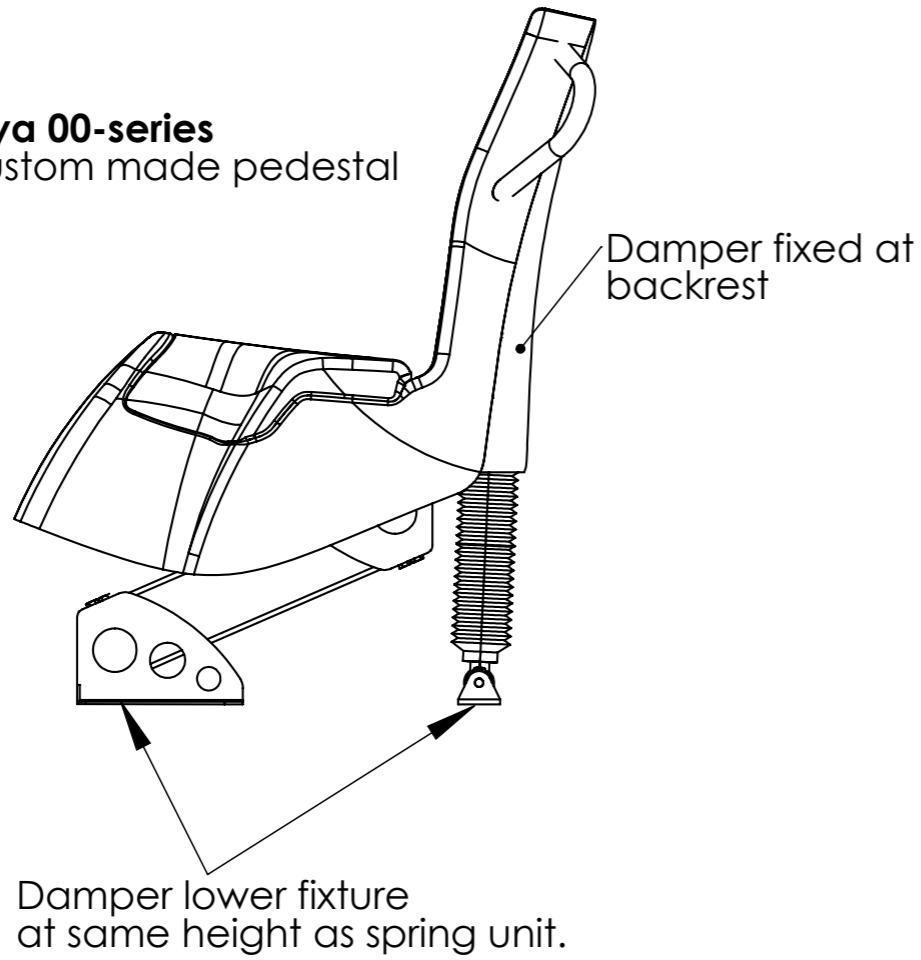
Ullman Dynamics AB
 Tel +46 31 708 26 00
 jonathan@ullmans.com

	NAME	SIGNATURE	DATE	
DRAWN	Jonathan			
CHKD				
APPVD				
MFG				
Q.A				
				MATERIAL:
				WEIGHT:

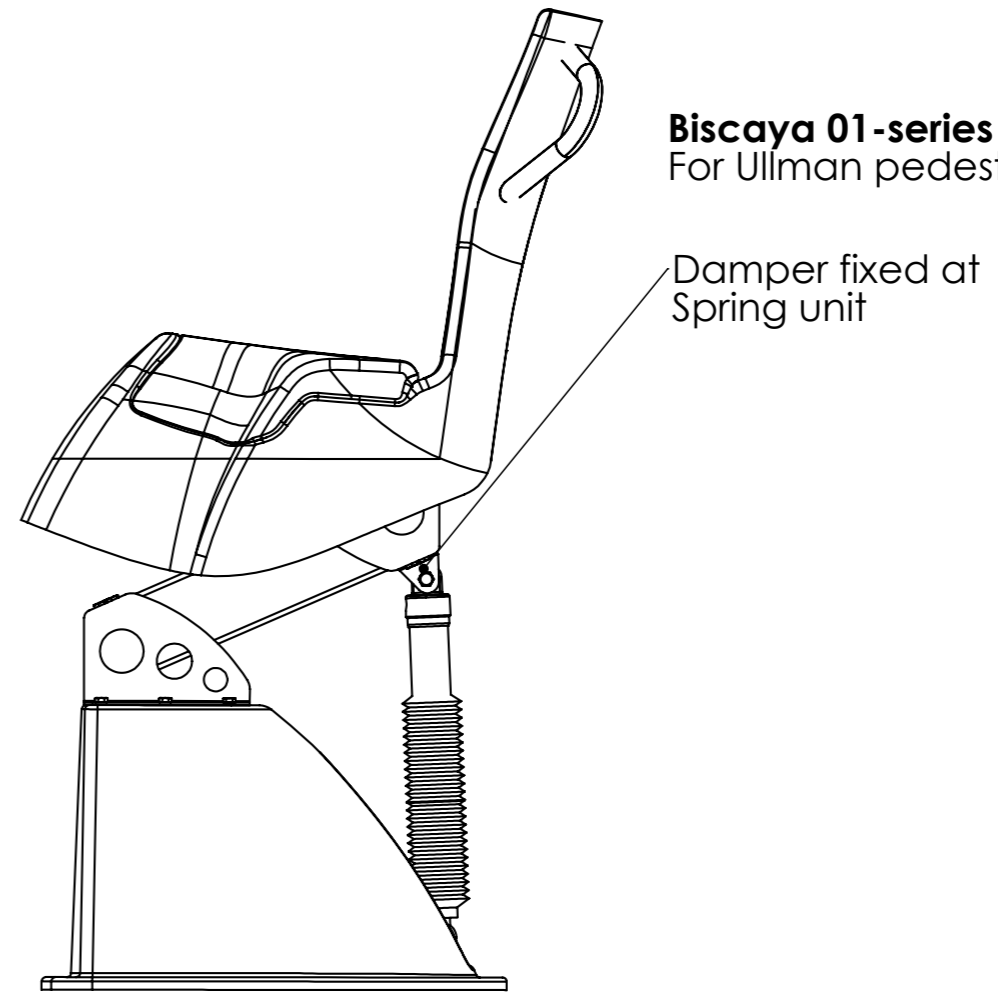
TITLE:	Ullman Pod 1.5	
DWG NO.		A4
SCALE:1:10		SHEET 1 OF 3

* 452 = Distance between first screw hole in biscaya lower spring bracket and first screw hole in the damper attachment.

Biscaya 00-series
For custom made pedestal



Biscaya 01-series
For Ullman pedestal



Biscaya 00 and 01 has the same vertical travel.

UNLESS OTHERWISE SPECIFIED: DIMENSIONS ARE IN MILLIMETERS SURFACE FINISH: TOLERANCES: LINEAR: ANGULAR:			FINISH:		DEBUR AND BREAK SHARP EDGES		DO NOT SCALE DRAWING		REVISION			
							Ullman Dynamics AB Tel +46 31 708 26 00 jonathan@ullmans.com					
							TITLE: 00-01 Difference					
							DWG NO.				A4	
							Scale 1:10		SHEET 1 OF 1			
DRAWN			NAME		SIGNATURE		DATE					
CHK'D			Jonathan									
APPV'D												
MFG												
Q.A							MATERIAL:					

Deck Inserts M20 / M8

